

# **iMotor**® Walk-In Cooler Evaporator Fan Motor

Direct Heatcraft OEM Replacement

Heatcraft Replacement Motors - Bohn, Chandler, Climate Control and Larkin

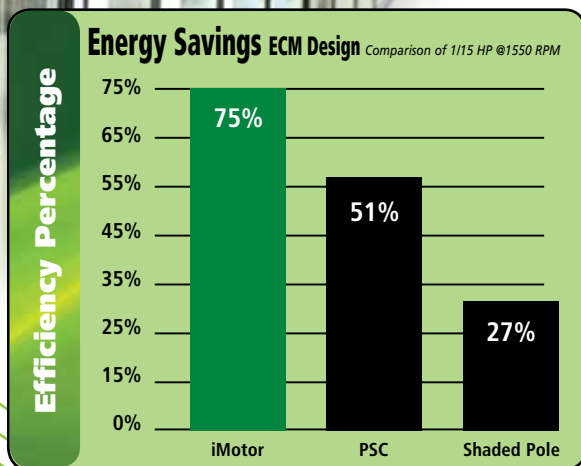


## Features:

- Advanced ECM design (Electronically commutated motor)
- Ball Bearing
- Class B Insulation
- Single Speed
- 60 HZ
- 42 Frame
- Lyall Plug
- Four mounting studs on each end

## HEATCRAFT CROSS REFERENCE

Century Motor	HeatCraft Replacement Motor
<b>9215L</b>	22617801, 22618001, 25307801, 25308001
<b>9215H</b>	22617701, 22617901, 25307701, 25307901
<b>9216L</b>	2531194
<b>9216H</b>	2531195

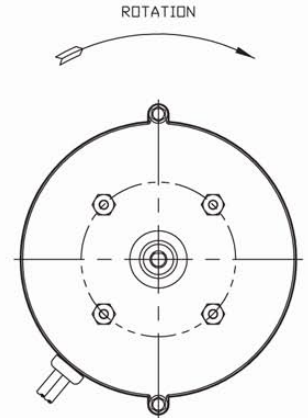
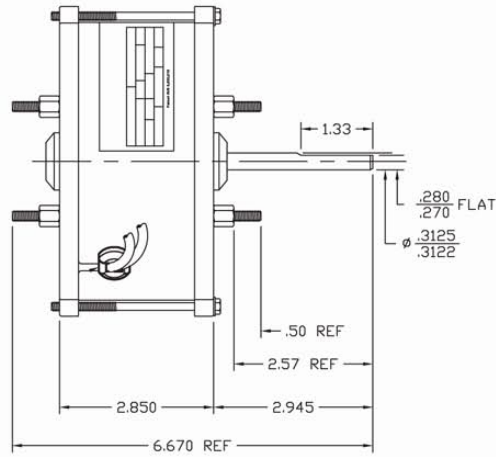
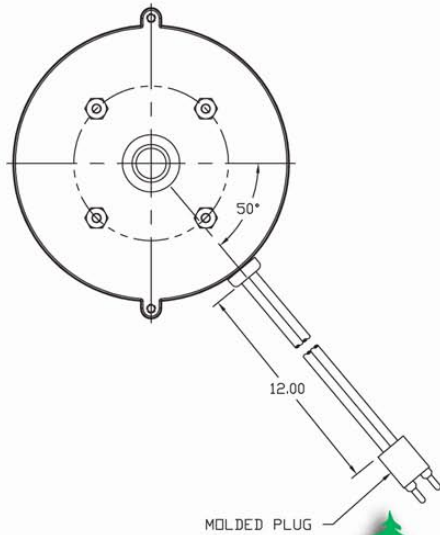


Stock Number	HP	Volts	Amps	RPM	Rotation	Shaft Dia. & Length	"A" Dim.
<b>9215L</b>	1/15, 1/20, 1/25	120	1.2	1625	CWSE	5/16 x 2.95"	2.85
<b>9215H</b>	1/15, 1/20, 1/25	230	0.7	1625	CWSE	5/16 x 2.95"	2.85
<b>9216L</b>	1/15, 1/20, 1/25	120	1.2	1625	CCWSE	5/16 x 2.95"	2.85
<b>9216H</b>	1/15, 1/20, 1/25	230	0.7	1625	CCWSE	5/16 x 2.95"	2.85

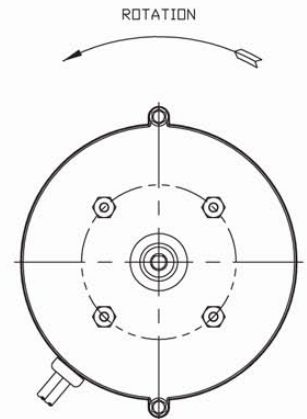
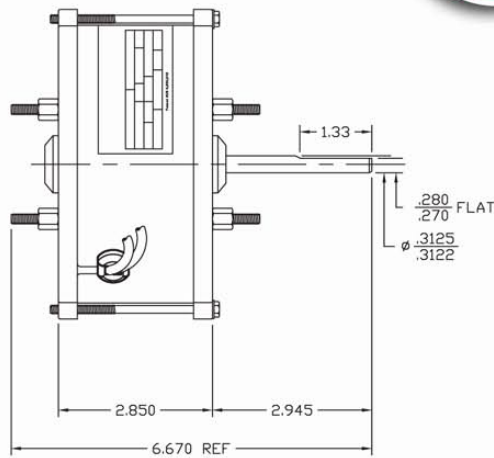
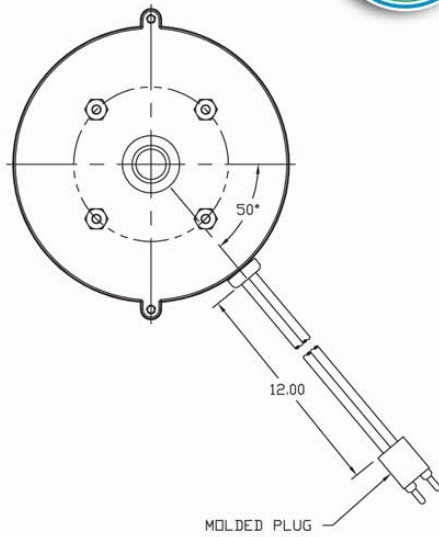
Replaces 1/15, 1/20, 1/25 HP PSC and low efficient shaded pole designs.

# iMotor<sup>®</sup> Walk-In Cooler Evaporator Fan Motor

## 9215H 9215L



## 9216H 9216L



Universal Electric Motors  
6200 Dixie Road, Unit 1  
Mississauga, Ontario, L5T 2E1  
Tel: (905) 670-3380  
Toll Free: 1-877-670-3380  
Fax: (905) 670-7637 www.uem.ca

A Regal Brand

